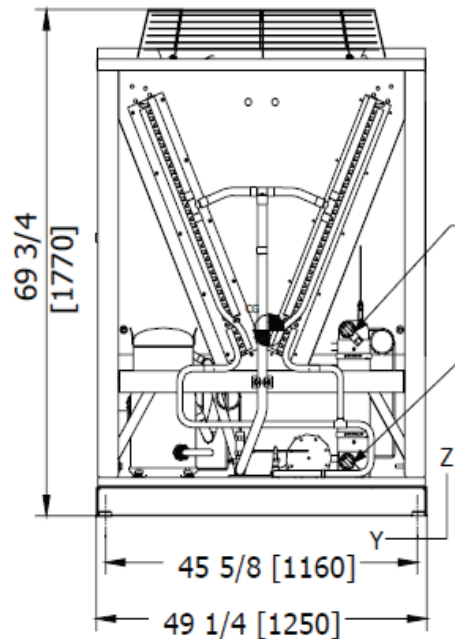
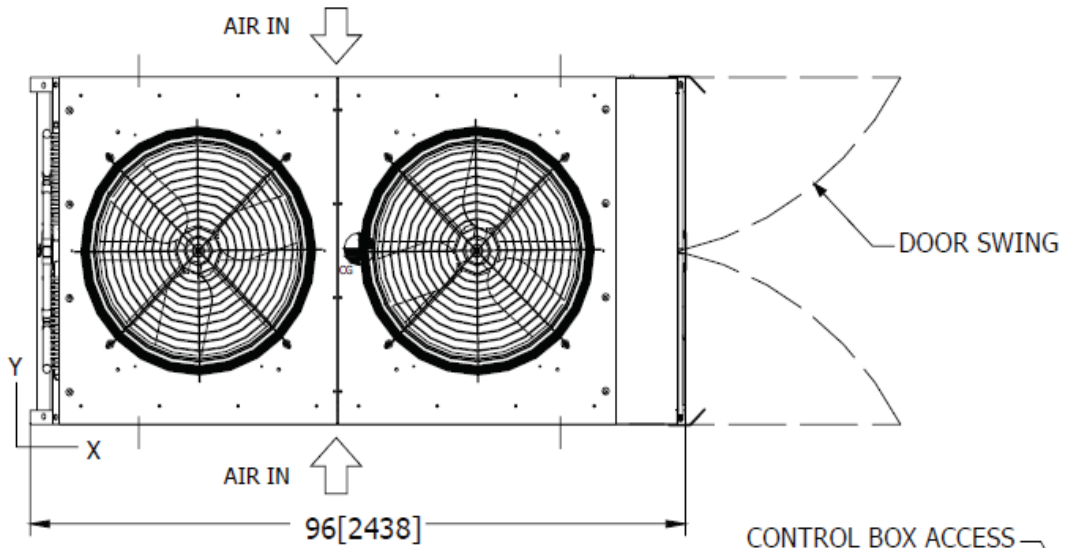


CGACDS 020

60HZ

NOTES:

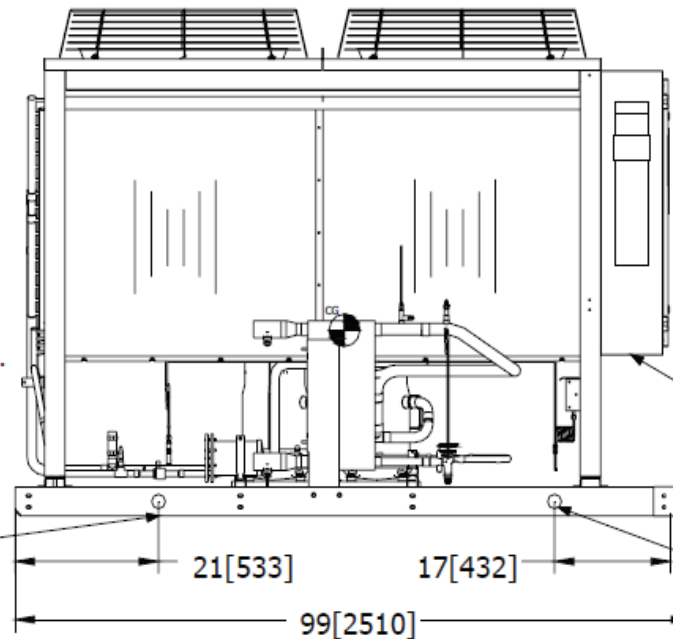
1. ALLOW 60 [1524] CLEARANCE AT CONTROL PANEL END OF UNIT FOR SERVICES.
2. WATER PIPING TO BE SUPPORTED TO MINIMIZE LOAD ON UNIT.



WATER INLET CONN.
Ø2.0 [50.8] MNPT
(NEAR SIDE)

WATER INLET CONN.
Ø2.0 [50.8] MNPT
(NEAR SIDE)

4 NOS OF
Ø3/4 [19.1]
MOUNTING HOLES



CONTROL BOX ACCESS

